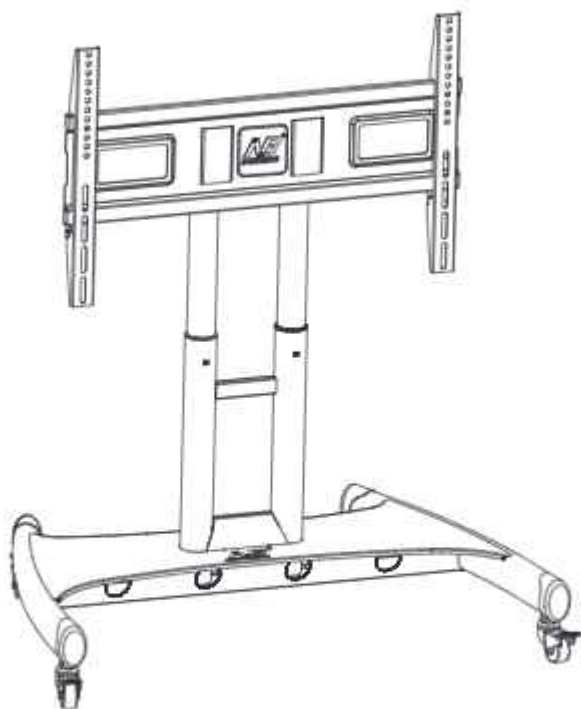




INSTALLATION INSTRUCTION

安装说明



AVA50

移动推车支架/Mobile TV Cart

适合电视屏幕/Fits : 32"-70"

安装孔径/VESA : 100x100-600x400 mm

可承重范围/weight capacity : 100 lbs / 45.5 kg

昆山泓杰电子股份有限公司

地址：中国江苏省昆山市经济技术开发区富春江路1050号

邮编：215333

Kunshan Hongjie Electronics Co., Ltd

1050, Fu Chun Jiang Road, Economic Development Zone,

Kunshan City, Jiangsu Province, China, 215333

www.new-nb.com E-mail: arj@nbwgroup.com

执行标准：Q/320583 AJHJ001-2022 (企业标准)

修改和变更的权利属于本公司，在设有我公司正式通知时，
请不要修改和变更安装说明。

We reserve the right to modify or alter instructions. No modification or alteration without formal notice.

目录/ Table of Contents

目录、产品承重范围示意图

Table of Contents and Product maximum weight representation	2/12
警告	
Warning	4/12
物料清单	
Parts list	5/12
组装和安装/Assembly and Installation	
1.1 底座与轮子的安装步骤	
1.1 Castor wheels to base installation	
1.2 底座与上下接管的安装步骤	
1.2 Post assembly to base installation	6/12
2.上下接管的调节步骤	
2. Install telescopic mounting poles	7/12
3.挂板的安装步骤	
3.Installation of interface	8/12
4.电视机孔位的安装步骤	
4.Selection of TV mounting patterns	9/12
5.挂电视机的安装步骤	
5.Mounting TV on pole interface	10/12
6.穿线步骤	
6.Cables and wires installation	11/12
7.产品技术参数一览表	
7.Product specifications	12/12

★如果您需要适用于更大或更小电视机尺寸时，可根据电视机背面的VESA孔位及电视机重量选择使用。

★ Can fit smaller or larger TVs depending upon VESA and TV Weight.








警告！

警告！如果组装或安装不当，这可能导致人员重伤，死亡或财产损毁。请您在组装或安装前，先仔细阅读说明书及警告信息。

- 如果您不理解说明或者遇到任何疑问或问题，请与具备资格的当地安装人员联系。
- 如果产品或配件受损或缺失，请不要组装或安装。如果您需要备换零件或其他，请联络当地的经销商以获取帮助。
- 此产品适用于32"-70"液晶显示器/等离子屏，可承重范围为：45.5kg/100lbs；
- 除了产品本身设计的用途外，请不要将此产品用于其他领域。
- 此产品设计包含滑动部件，为了安全，请小心使用。
- 厂商在此声明，对于以下情况所造成的损毁或损伤不承担任何法律责任：对产品自行改造，或安装不当，或安装超过此产品所注明的承重范围，或使用不当而造成此产品磨损或毁坏。
- 如果儿童或青少年因故爬上视听视频机组家具上；或因玩具，物品，遥控器等放于机组家具上，促使儿童或青少年爬上机组家具上，会造成机组家具脱落翻倒，以致儿童或青少年受到严重的损伤甚至死亡。
- 改换视听视频机组家具安装位置或地点，或从新安装到不能支持或承受视听视频机组家具重量，导致机组家具脱落翻倒造成人身的严重损伤甚至死亡。

► 图示与实物如若有不符现象，请以实物为准。

说明








						
拧紧方向	拧松方向	螺丝起子	米尺	调整	手工	六角扳手

WARNING!


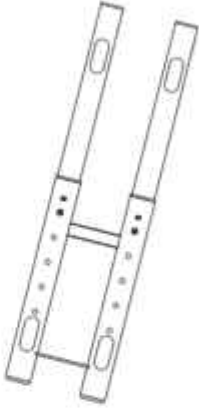

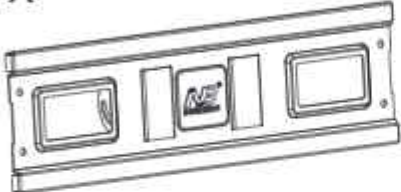

















Severe personal injury and property damage can result from improper installation or assembly. Read the following warning carefully before beginning.

- If you do not understand the instructions or have any concerns or questions, please contact a qualified local installer.
 - Do not install or assemble if the product or hardware is damaged or missing, if you require replacement parts, please contact your local distributor for assistance.
This product fits most 32"-70" LCD/plasma screen; maximum weight of LCD/plasma screen: 45.5kg/100lbs
 - Do not use this product for anything other than the original design.
 - This product contains moving parts, please use with caution.
 - The manufacturer disclaims any liability for the modifications, improper installation, or installation over the specified weight range. The manufacturer will not be liable for any damages arising out of the use of, or inability to use, the product.
 - Death or serious injury may occur when children climb on audio and/or video equipment furniture. A remote control or toys placed on the furnishing may encourage a child to climb on the furnishing and as a result the furnishing may tip over on to the child.* or equivalent.
 - Relocating audio and/or video equipment to furniture not specifically designed to support audio and/or video equipment may result in death or serious injury due to the furnishing collapsing or over turning onto a child.* or equivalent.
 - Use with products heavier than the maximum weights indicated may result in instability causing possible injury.
- ▶ All images are for reference, to prevail in product.

Manual

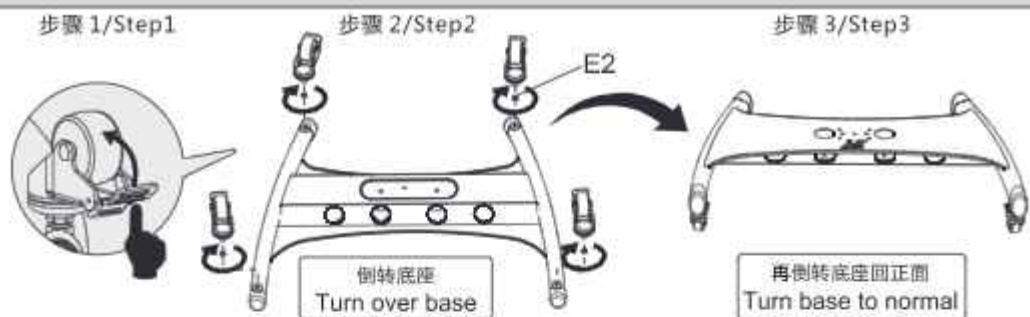
						
Tightening Direction	Loosening Direction	Phillips Screwdriver	Metre Rule	Adjustment	By Hand	Hex Wrench

物料清单/Parts List

<p>1X</p> 	<p>1X</p> 	<p>2X</p> 						
<p>1X</p> 	<p>4X</p> 		<p>1X</p> 					
<p>A1</p> <p>4X</p>  <p>M8×25mm</p>	<p>B1</p> <p>4X</p>  <p>M6×25mm</p>	<p>C1</p> <p>4X</p>  <p>M5×25mm</p>	<p>D1</p> <p>4X</p>  <p>M4×12mm</p>	<p>E1</p> <p>4X</p>  <p>Φ16×Φ6.2×1.5mm</p>	<p>F1</p> <p>4X</p>  <p>Φ15×Φ6.2×10mm</p>			
<p>A2</p> <p>4X</p>  <p>M8×26mm</p>	<p>B2</p> <p>6X</p>  <p>M8×60mm</p>	<p>C2</p> <p>2X</p>  <p>M5×12mm</p>	<p>D2</p> <p>2X</p>  <p>Φ16.5×Φ12.5×2mm</p>	<p>E2</p> <p>4X</p>  <p>M6</p>	<p>F2</p> <p>1X</p>  <p>M8</p>	<p>G2</p> <p>6X</p>  <p>Φ18×Φ8.2×1mm</p>	<p>H2</p> <p>6X</p>  <p>13mm</p>	<p>I2</p> <p>1X</p> 

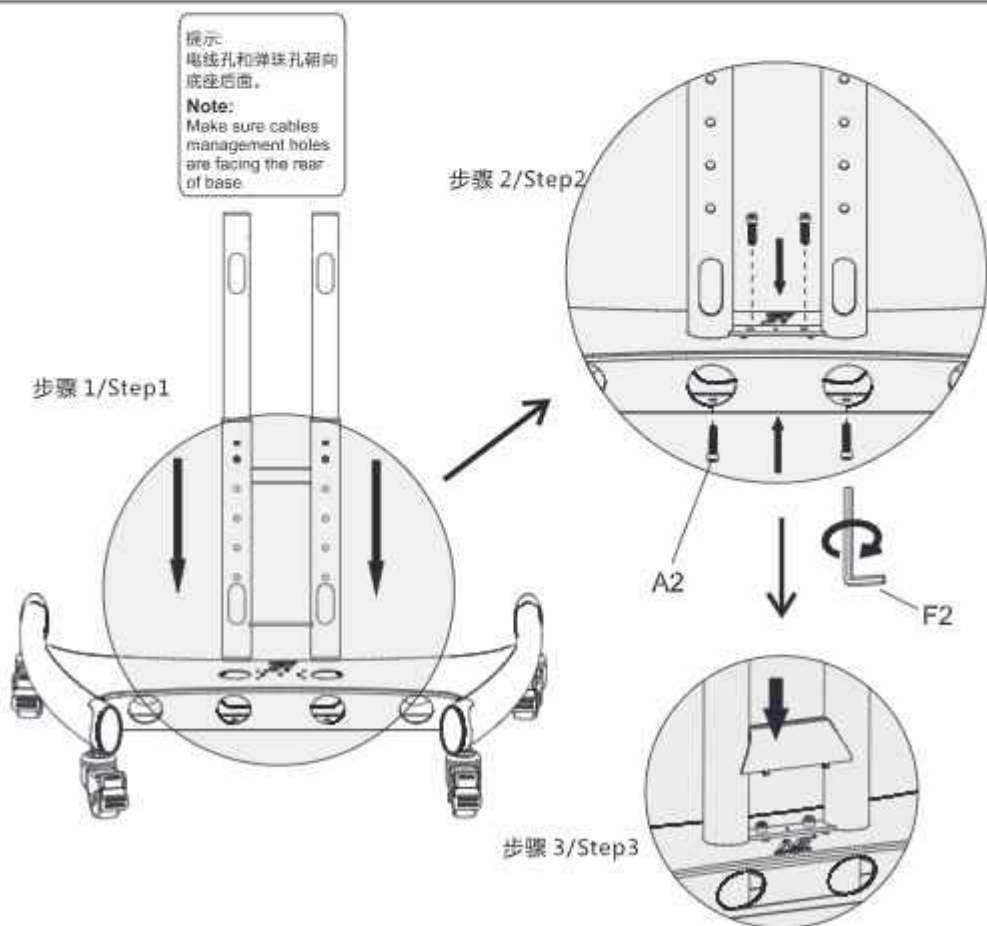
1.1 底座与轮子的安装步骤

1.1 Castor wheels to base installation



1.2 底座与上下接管的安装步骤

1.2 Post assembly to base installation



2. 上下接管的调节步骤

2. Install telescopic mounting poles

第一步：用手指按下位于右下接管下方穿线孔处的弹珠，同时扭转上接管让弹珠避开弹珠孔(如图1)，之后双手慢慢向上拉动上接管直至您所需的高度，然后转动右上接管直至弹珠从最近弹珠孔处弹出(如图2)。

Step 1. Use thumb or finger to depress the right upper pole spring plunger located at the cable window, pull upper pole upward until your desired height. Twist upper pole toward the plunger holes direction and engage the spring ball into the plunger hole and set as shown in fig-1.

第二步：重复上面动作将左上接管拉至相同高度的弹珠孔至弹珠弹出。

Step 2. Repeat with left pole.

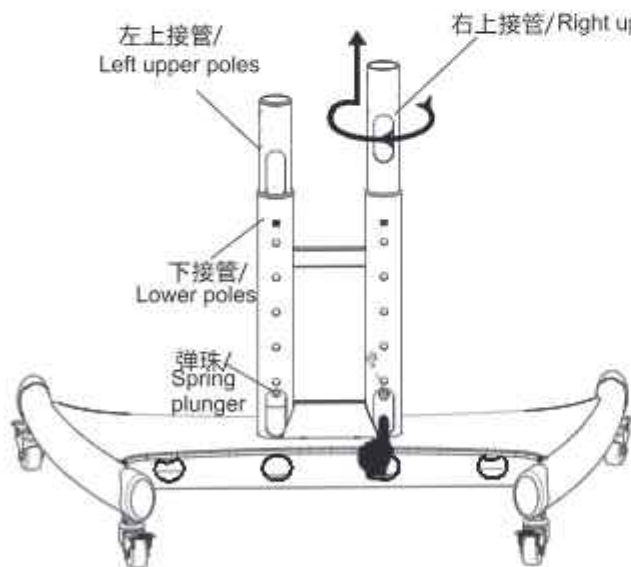


图 1
Figure 1

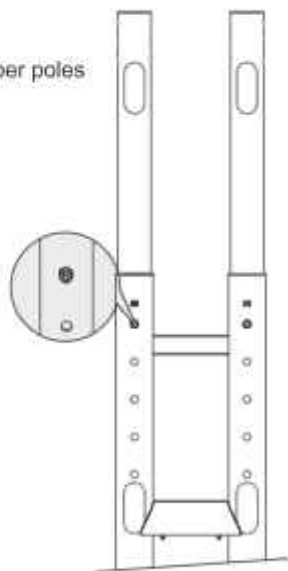
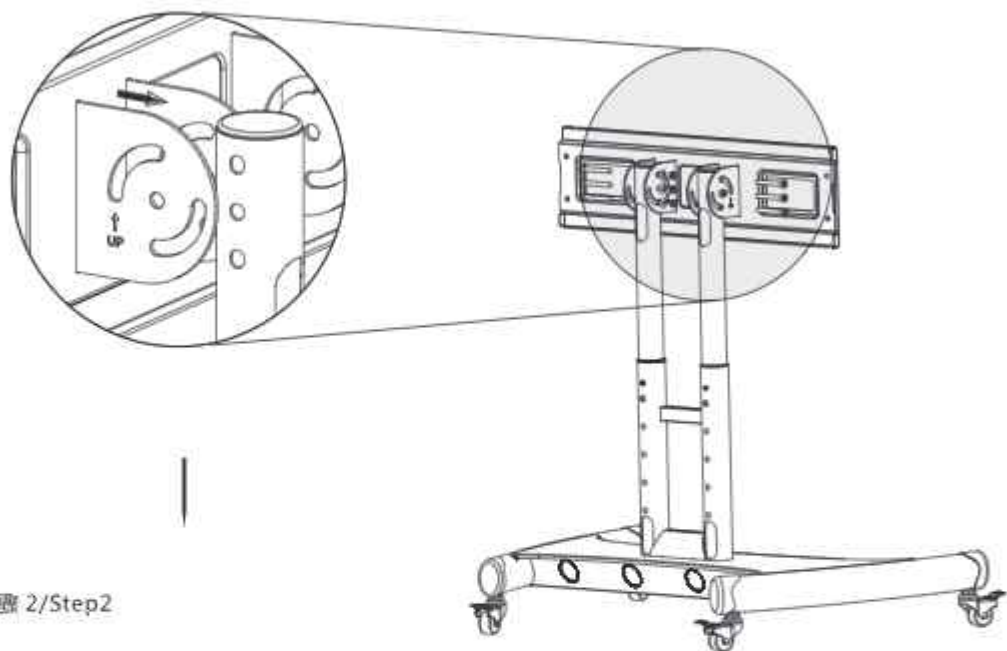


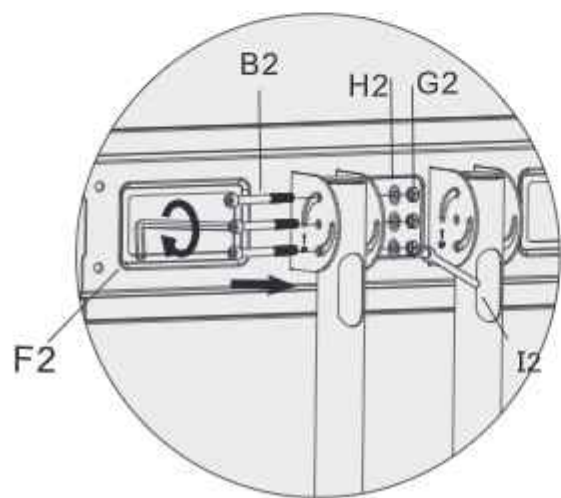
图 2
Figure 2

3. 挂板的安装步骤 3.Installation of interface

步骤 1/Step1



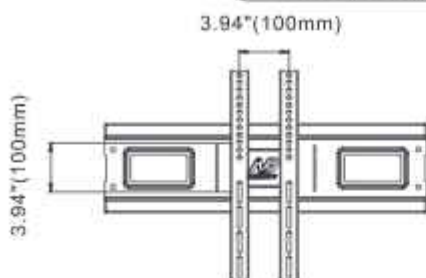
步骤 2/Step2



4.电视机孔位的安装步骤

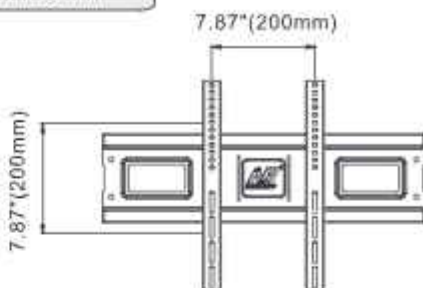
4.Selection of TV mounting patterns

VESA : 100x100~600x400mm



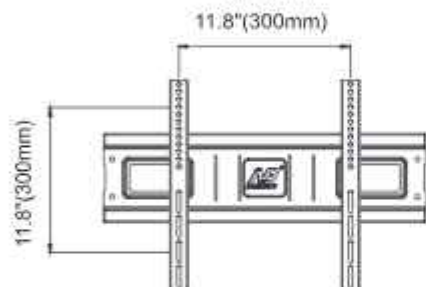
3.94"(100mm)

3.94"(100mm)



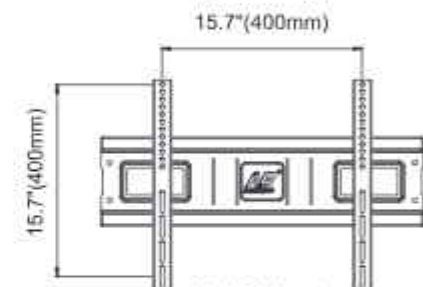
7.87"(200mm)

7.87"(200mm)



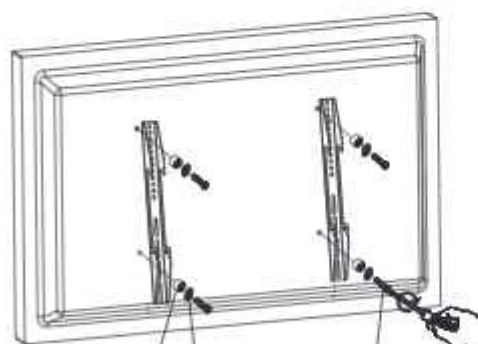
11.8"(300mm)

11.8"(300mm)



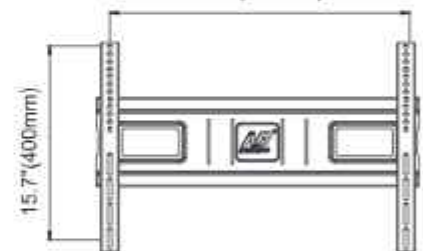
15.7"(400mm)

15.7"(400mm)



F1 E1

(B1,C1,D1)+E1orA1



23.6"(600mm)

15.7"(400mm)

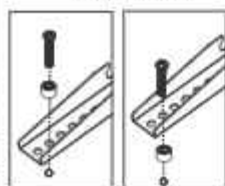
提示:

安装电视机时,必须用加高垫,以免螺丝时,因螺丝长度过长造成您的电视设备受损伤。

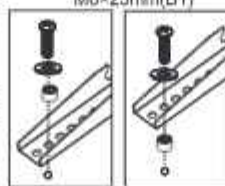
Note:

To avoid damage plastic spacer must be used when depth of mounting holes is minimal.

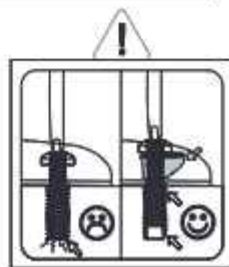
M8×25mm(A1)



M5×25mm(C1)
M6×25mm(B1)

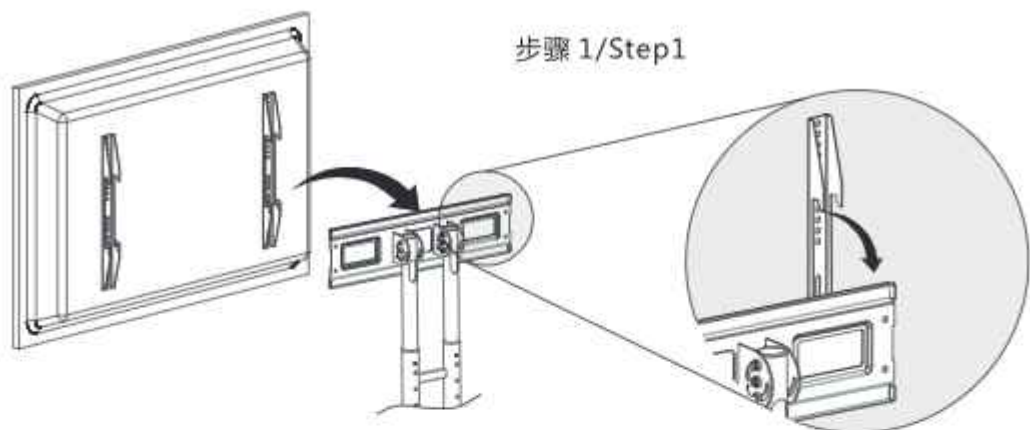


安全提示
Safety advise



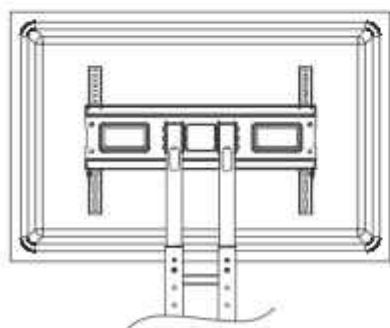
5. 挂电视机的安装步骤

5. Mounting TV on pole interface

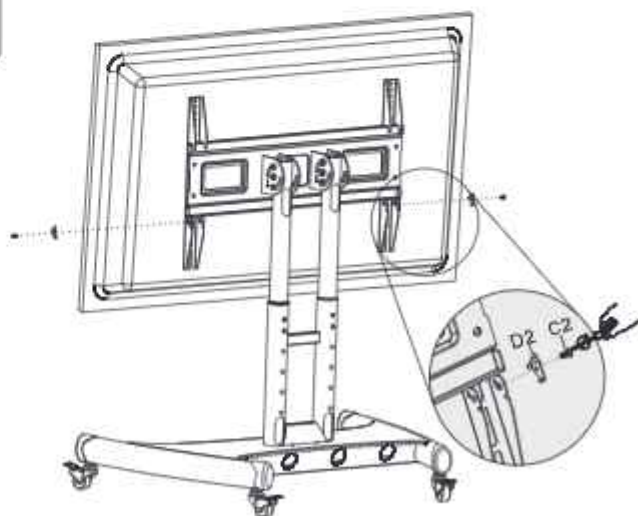


步骤 2/Step2

注意:
尽量移电视至中间位置。
Note:
Moves TV to center.

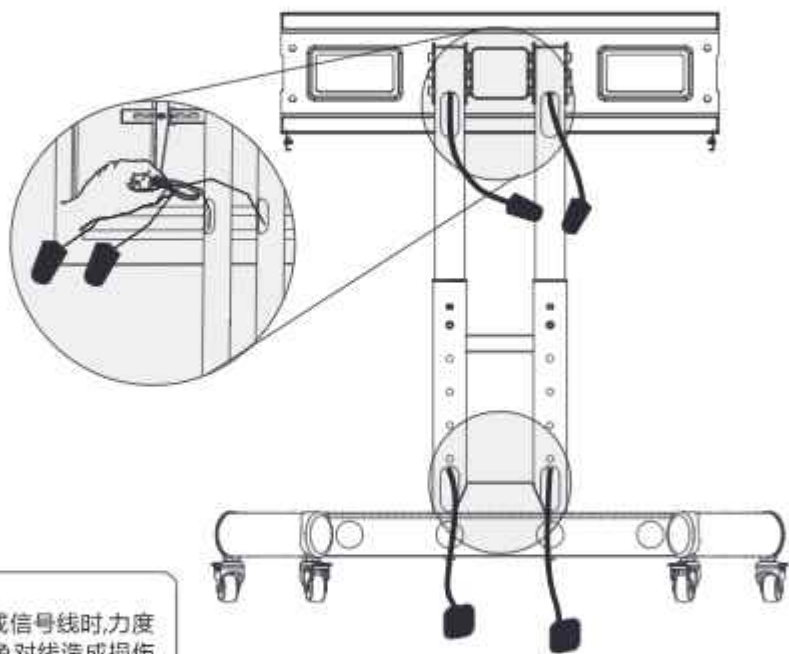


步骤 3/Step3



6. 穿线步骤

6.Cables and wires installation



注意:

在拉电源线或信号线时,力度不可过大,以免对线造成损伤。

Note:

Be caution when routing wires to avoid damage.

7. 产品技术参数一览表

7. Product specifications

